

FORM PTO-1390  
(REV. 11-2000)

U S DEPARTMENT OF COMMERCE PATENT AND TRADEMARK OFFICE

ATTORNEY'S DOCKET NUMBER

43153-9062

**TRANSMITTAL LETTER TO THE UNITED STATES  
DESIGNATED/ELECTED OFFICE (DO/EO/US)  
CONCERNING A FILING UNDER 35 U.S.C. 371**

U.S. APPLICATION NO (if known, see 37 CFR 1.5

**09/857340**

INTERNATIONAL APPLICATION NO.  
PCT/AU99/01028

INTERNATIONAL FILING DATE  
19 November 1999 (19.11.99)

PRIORITY DATE CLAIMED  
18 December 1998 (18.12.98)

TITLE OF INVENTION **Apparatus and Method for Monitoring a Structure Using a Counter-Propagating Signal Method for Locating Events**

APPLICANT(S) FOR DO/EO/US  
**Edward E. Tapanes, Jason R. Goode, Jim Katsifolis**

Applicant herewith submits to the United States Designated/Elected Office (DO/EO/US) the following items and other information:

1.  This is a **FIRST** submission of items concerning a filing under 35 U.S.C. 371.
2.  This is a **SECOND** or **SUBSEQUENT** submission of items concerning a filing under 35 U.S.C. 371.
3.  This is an express request to begin national examination procedures (35 U.S.C. 371(f)). The submission must include items (5), (6), (9) and (21) indicated below.
4.  The US has been elected by the expiration of 19 months from the priority date (Article 31).
5.  A copy of the International Application as filed (35 U.S.C. 371(c)(2))
  - a.  is attached hereto (required only if not communicated by the International Bureau).
  - b.  has been communicated by the International Bureau.
  - c.  is not required, as the application was filed in the United States Receiving Office (RO/US).
6.  An English language translation of the International Application as filed (35 U.S.C. 371(c)(2)).
  - a.  is attached hereto.
  - b.  has been previously submitted under 35 U.S.C. 154(d)(4).
7.  Amendments to the claims of the International Application under PCT Article 19 (35 U.S.C. 371(c)(3))
  - a.  are attached hereto (required only if not communicated by the International Bureau).
  - b.  have been communicated by the International Bureau.
  - c.  have not been made; however, the time limit for making such amendments has NOT expired.
  - d.  have not been made and will not be made.
8.  An English language translation of the amendments to the claims under PCT Article 19 (35 U.S.C. 371 (c)(3)).
9.  An oath or declaration of the inventor(s) (35 U.S.C. 371(c)(4)).
10.  An English language translation of the annexes of the International Preliminary Examination Report under PCT Article 36 (35 U.S.C. 371(c)(5)).

**Items 11 to 20 below concern document(s) or information included:**

11.  An Information Disclosure Statement under 37 CFR 1.97 and 1.98.
12.  An assignment document for recording. A separate cover sheet in compliance with 37 CFR 3.28 and 3.31 is included.
13.  A **FIRST** preliminary amendment.
14.  A **SECOND** or **SUBSEQUENT** preliminary amendment.
15.  A substitute specification.
16.  A change of power of attorney and/or address letter.
17.  A computer-readable form of the sequence listing in accordance with PCT Rule 13ter.2 and 35 U.S.C. 1.821 - 1.825.
18.  A second copy of the published international application under 35 U.S.C. 154(d)(4).
19.  A second copy of the English language translation of the international application under 35 U.S.C. 154(d)(4).

20.  Other items or information:  
**Courtesy copy of Amended sheets 36-42**

Express Mail Label No. EL671260243US

I hereby certify that this paper or fee is being deposited with the United States Postal Service "Express Mail Post Office to Addressee" service under 37 CFR 1.10 on the date of my signature and is addressed to Box PCT, Assistant Commissioner for Patents, Washington, D.C. 20231.

*Nancy Dragolovich*  
Nancy Dragolovich

June 4, 2001

Date of Deposit

PCT/030" 07/25/00

U.S. APPLICATION NO. **097/857340**

INTERNATIONAL APPLICATION NO  
PCT/AU99/01028

ATTORNEY'S DOCKET NUMBER  
43153-9062

21.  The following fees are submitted:  
**BASIC NATIONAL FEE (37 CFR 1.492 (a) (1) - (5)):**  
 Neither international preliminary examination fee (37 CFR 1.482)  
 nor international search fee (37 CFR 1.445(a)(2)) paid to USPTO  
 and International Search Report not prepared by the EPO or JPO ..... **\$1000.00**  
 International preliminary examination fee (37 CFR 1.482) not paid to  
 USPTO but International Search Report prepared by the EPO or JPO ..... **\$860.00**  
 International preliminary examination fee (37 CFR 1.482) not paid to USPTO  
 but international search fee (37 CFR 1.445(a)(2)) paid to USPTO ..... **\$710.00**  
 International preliminary examination fee (37 CFR 1.482) paid to USPTO  
 but all claims did not satisfy provisions of PCT Article 33(1)-(4) ..... **\$690.00**  
 International preliminary examination fee (37 CFR 1.482) paid to USPTO  
 and all claims satisfied provisions of PCT Article 33(1)-(4) ..... **\$100.00**  
**ENTER APPROPRIATE BASIC FEE AMOUNT =**

**CALCULATIONS PTO USE ONLY**

\$ 1,000.00

Surcharge of **\$130.00** for furnishing the oath or declaration later than  20  30  
 months from the earliest claimed priority date (37 CFR 1.492(e)).

\$

CLAIMS	NUMBER FILED	NUMBER EXTRA	RATE	\$
Total claims	28 - 20 =	8	x \$18.00	\$ 144.00
Independent claims	5 - 3 =	2	x \$80.00	\$ 160.00
MULTIPLE DEPENDENT CLAIM(S) (if applicable)			+ \$270.00	\$

**TOTAL OF ABOVE CALCULATIONS =** \$ 1,304.00

Applicant claims small entity status. See 37 CFR 1.27. The fees indicated above  
 are reduced by 1/2.

\$ 652.00

**SUBTOTAL =** \$ 652.00

Processing fee of **\$130.00** for furnishing the English translation later than  20  30  
 months from the earliest claimed priority date (37 CFR 1.492(f)).

\$

**TOTAL NATIONAL FEE =** \$ 652.00

Fee for recording the enclosed assignment (37 CFR 1.21(h)). The assignment must be  
 accompanied by an appropriate cover sheet (37 CFR 3.28, 3.31). **\$40.00** per property +

\$ 40.00

**TOTAL FEES ENCLOSED =** \$ 692.00

Amount to be  
refunded: \$

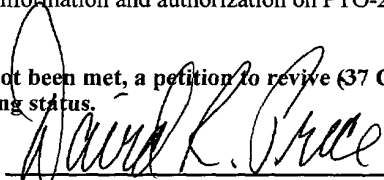
charged: \$

- a.  A check in the amount of \$ 692.00 to cover the above fees is enclosed.
- b.  Please charge my Deposit Account No. \_\_\_\_\_ in the amount of \$ \_\_\_\_\_ to cover the above fees.  
 A duplicate copy of this sheet is enclosed.
- c.  The Commissioner is hereby authorized to charge any additional fees which may be required, or credit any  
 overpayment to Deposit Account No. 13-3080. A duplicate copy of this sheet is enclosed.
- d.  Fees are to be charged to a credit card. **WARNING:** Information on this form may become public. **Credit card  
 information should not be included on this form.** Provide credit card information and authorization on PTO-2038.

**NOTE:** Where an appropriate time limit under 37 CFR 1.494 or 1.495 has not been met, a petition to revive (37 CFR  
 1.137 (a) or (b)) must be filed and granted to restore the application to pending status.

SEND ALL CORRESPONDENCE TO:

David R. Price  
 Michael Best & Friedrich LLP  
 100 East Wisconsin Avenue  
 Milwaukee, WI 53202

  
 \_\_\_\_\_  
 SIGNATURE

David R. Price

NAME

31,557

REGISTRATION NUMBER

FORM PTO-1390 (REV 11-2000)

IN THE UNITED STATES PATENT AND TRADEMARK OFFICE

In re

International Application of

Tapanes, et al.

International Application No.  
PCT/AU99/01028

International Filing Date:  
19 November 1999

Apparatus and Method for Monitoring a  
Structure Using a Counter-Propagating  
Signal Method for Locating Events

PRELIMINARY AMENDMENT

BOX PCT  
Assistant Commissioner for Patents  
Washington, DC 20231

Sir:

Please amend the application as follows prior to calculation of the filing fees.

IN THE CLAIMS

Substitute the following claims for the corresponding numbered claims in the application.

3. (Amended) The apparatus of claim 1 wherein light source is for launching simultaneously into opposite ends of the waveguide.
4. (Amended) The apparatus of claim 1 wherein the light source is a single light source.
5. (Amended) The apparatus of claim 1 wherein the waveguide is one or more optical fibres which forms an event sensitive optical fibre.
6. (Amended) The apparatus of claim 1 wherein further silica waveguides are connected to the said waveguide at either or both ends in order to add additional delay between the transmissive counter-propagating signals and to provide insensitive lead waveguides.

FOR "OFFICE" USE ONLY

7. (Amended) The apparatus of claim 1 wherein the detector means comprises:  
 first and second photodetectors for simultaneously receiving the radiation from the counter-propagating signals in the waveguide; and  
 processing means for receiving signals from the first and second photodetectors for determining the time delay or difference between the signals effected from the same disturbance and therefore determining the location of the sensed event.

9. (Amended) The apparatus of claim 1 wherein the waveguide is for connection to the structure to monitor the structure.

10. (Amended) The apparatus of claim 1 wherein the structure comprises the waveguide for transmitting data along the waveguide from one place to another and the waveguide simultaneously receiving the light from the light source to provide the counter-propagating optical signals so as to enable the integrity and security of the waveguide to be monitored.

11. (Amended) The apparatus according to claim 1 wherein the detector also identifies or quantifies the parameter from the modified counter-propagating optical signals.

12. (Amended) The apparatus of claim 1 wherein waveguide is arranged in a loop configuration so that light can be simultaneously launched into both ends of the waveguide from a single light source.

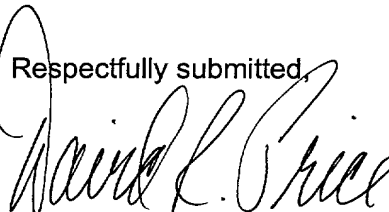
22. (Amended) The apparatus of claim 20 wherein the light source is for launching simultaneously into opposite ends of the link.

23. (Amended) The apparatus of claim 20 wherein the light source is a single light source.

24. (Amended) The apparatus of claim 20 wherein the detector means comprises:  
 first and second photodetectors for simultaneously receiving the light from the counter-propagating signals in the link; and  
 processing means for receiving signals from the first and second photodetectors for determining the time delay or difference between the signals effected from the same disturbance and therefore determining the location of the disturbance.

REMARKS

The claims have been amended to remove multiple dependent claims and to conform to U.S. Patent Office practice. Please enter this amendment before calculating the filing fees.

Respectfully submitted,  


David R. Price  
Reg. No. 31,557

File No. 43153-9062

Michael Best & Friedrich LLP  
100 East Wisconsin Avenue  
Milwaukee, WI 53202-4108  
(414) 271-6560

FOR "01630" 0762560

**Version with markings to show changes made**

In the Claims:

3. (Amended) The apparatus of claim 1 [or 2] wherein light source is for launching simultaneously into opposite ends of the waveguide.
4. (Amended) The apparatus of [any one of claims 1 to 3] claim 1 wherein the light source is a single light source.
5. (Amended) The apparatus of [any one of claim 1 to 4] claim 1 wherein the waveguide is one or more optical fibres which forms an event sensitive optical fibre.
6. (Amended) The apparatus of [any one of claims 1 to 5] claim 1 wherein further silica waveguides are connected to the said waveguide at either or both ends in order to add additional delay between the transmissive counter-propagating signals and to provide insensitive lead waveguides.
7. (Amended) The apparatus of [any one of claims 1 to 6] claim 1 wherein the detector means comprises:
  - first and second photodetectors for simultaneously receiving the radiation from the counter-propagating signals in the waveguide; and
  - processing means for receiving signals from the first and second photodetectors for determining the time delay or difference between the signals effected from the same disturbance and therefore determining the location of the sensed event.
9. (Amended) The apparatus of [any one of claims 1 to 8] claim 1 wherein the waveguide is for connection to the structure to monitor the structure.
10. (Amended) The apparatus of [anyone of claims 1 to 8] claim 1 wherein the structure comprises the waveguide for transmitting data along the waveguide from one place to another and the waveguide simultaneously receiving the light from the light source to provide the counter-propagating optical signals so as to enable the integrity and security of the waveguide to be monitored.

FOR OFFICIAL USE ONLY

11. (Amended) The apparatus according to [any one of claims 1 to 10] claim 1 wherein the detector also identifies or quantifies the parameter from the modified counter-propagating optical signals.

12. (Amended) The apparatus of [any one of claims 1 to 11] claim 1 wherein waveguide is arranged in a loop configuration so that light can be simultaneously launched into both ends of the waveguide from a single light source.

22. (Amended) The apparatus of claim 20 [or 21] wherein the light source is for launching simultaneously into opposite ends of the link.

23. (Amended) The apparatus of [any one of claims 20 to 22] claim 20 wherein the light source is a single light source.

24. (Amended) The apparatus of [any one of claims 20 to 23] claim 20 wherein the detector means comprises:

first and second photodetectors for simultaneously receiving the light from the counter-propagating signals in the link; and

processing means for receiving signals from the first and second photodetectors for determining the time delay or difference between the signals effected from the same disturbance and therefore determining the location of the disturbance.

APPARATUS AND METHOD FOR MONITORING A STRUCTURE USING A  
COUNTER-PROPAGATING SIGNAL METHOD FOR LOCATING EVENTS

FIELD OF THE INVENTION

5

This invention relates to an apparatus and method for monitoring a structure which employs a waveguide transmissive counter-propagating signal method and associated systems for locating events in fibre optic sensing systems.

10

The term "structure" used in this specification and in the claims should be understood to mean machines, buildings, infra-structure such as pipe lines and the like to which the apparatus and method may be applied as well as waveguides themselves which act as a communication link for transmission of data from one place to another.

15

It should also be understood that the term "light" used in the specification and claims means both visible and non-visible parts of the electromagnetic radiation spectrum.

20

ART BACKGROUND

Optical devices are commonly used in industry and science and include laser cavities, waveguides, lenses, filters and other optical elements and their combinations. Such optical devices are used in a variety of instruments and installations.

25  
30

Photonics technology has revolutionised the communications and sensor fields. This is mainly due to the rapid development of optical and opto-electronic devices. A wide variety of glass materials, material-dopants and waveguide structures are available and this invention relates to a waveguide transmissive counter-propagating

35



signal method and associated systems for locating events in fibre optic sensing systems.

Presently, there is a very high demand for sensors and systems that provide real-time monitoring of the integrity or condition of structures such as machines, buildings and fibre optic communication links. Fibre optic sensors, in particular, are very promising for these applications because of their dielectric properties, their fine size, their ability to be remotely located and, in the case of intrinsic sensors, rapid response times. They also have particular advantages in hazardous environments. In addition, they have several clear advantages over existing conventional sensing techniques such as bulk optical measurements, potentiometric electrodes, resistive foil gauges and piezo-electric transducers.

Engineered structures are usually not monitored in real-time because of the difficulties in incorporating conventional sensors into the sensing environment and because of the limitations of the sensors. Furthermore, conventional sensors are generally point sensing devices, thus requiring a large number of sensors to cover a large area or long length of interest. The subsequent cost and complexity of such a system is most often impractical.

Fibre optic sensors overcome many of these difficulties by virtue of their inherent properties. In addition, optical sensors and optical processing systems are extremely fast and do not suffer from electro-magnetic interference (EMI), unlike their electronic counter-parts. The technology is gaining wide acceptance for monitoring applications and is expected to play a major role in the realisation of real-time structural integrity and machine condition monitoring systems, offering an advanced new generation of engineering sensors.

0994742960

Fibre optic sensor technology has progressed at a rapid pace over the last decade. Many different sensing techniques have been developed to monitor specific parameters. Different configurations of fibre sensing devices have been developed for monitoring specific parameters, each differing by the principle of light modulation. Fibre optic sensors may be intrinsic or extrinsic, depending on whether the fibre is the sensing element or the information carrier, respectively. They are designated "point" sensors when the sensing gauge length is localised to discrete regions. If the sensor is capable of sensing a measurand field continuously over its entire length, it is known as a "distributed" sensor; "quasi-distributed" sensors utilise point sensors at various locations along the fibre length. Fibre optic sensors can be transmissive or can be used in a reflective configuration by mirroring the fibre end-face. So, fibre optic sensors are actually a class of sensing device. They are not limited to a single configuration and operation unlike many conventional sensors such as electrical strain gauges and piezoelectric transducers.

However, to-date most fibre optic sensor systems are based on point sensing devices, thus again requiring a large number of sensors to cover a large area or long length.

Very few distributed techniques have been developed and are commercially available. Of those that have been developed, fewer still have the capability to actually locate the region or position of the sensed parameter or disturbance along the fibre length; they simply detect, alert and sometimes quantify that an event has occurred.

Methods devised in the prior art for distributed sensing that are capable of locating the position of the sensed parameter include:

- Most current techniques for monitoring fibre optic cable integrity are based on static or slowly varying measurements employing optical time domain reflectometry (OTDR) (ie., sharp bends, fibre fracture, fibre attenuation, connector losses, etc.). This method is essentially based on an optical radar technique, where a very narrow pulse of light launched into an optical fibre is back-scattered or back-reflected by anomalies in the fibre material or structure along its length (ie., fracture, localised compression, fault, etc.) and the measured time-of-flight determines the locations of the anomalies.
- Fibre Optic Distributed Temperature Sensor (DTS) systems have been developed for continuous temperature measurements along the entire length of an optical fibre, and any surface or structure which the fibre is attached to. In the majority of distributed temperature sensing, the ratio of the intensity of the Stokes and anti-Stokes return signals are measured in an optical time domain reflectometry (OTDR) configuration. The end result is a true measurement of the temperature profile along the entire length of the sensor.
- Various OTDR back-scattering techniques for strain and pressure measurements have also been investigated, although no commercial technology is yet available.
- Physical placement of Sagnac interferometer loops at specific locations or geometric configurations have also been used for distributed fibre disturbance detection and location. In a Sagnac interferometer, light is launched into opposite ends of a sensing fibre loop such that two beams circulate through the loop in opposite directions and then recombine to

produce a phase interference pattern on a single photodetector. No use of the time of travel or time delay between the counter-propagating signals is used in these methods.

5

The most common methods for locating events are based on techniques using the back-scattering or back-reflection of extremely narrow pulses of laser light, combined with some other form of sensing mechanism to extract further information about the actual sensed parameter (ie., temperature, strain, pressure, etc.). However, while modern advances in photonics devices have allowed very precise and accurate systems to be developed and commercialised, they are often very complex and expensive. The main reasons for the complexity and high cost of these units is largely in the requirement for very high accuracy and high speed components needed in order to generate extremely narrow pulses of laser light, detect optical signals of extremely low power (often this involves photon-counting and significant averaging of the signals), and provide extremely accurate timing for the time-of-flight measurements of the light pulses.

Owing to the requirement of measuring and averaging the time-of-flight of very narrow, low power pulses, these techniques are often limited to monitoring static or very slowly varying parameters. In addition, to-date most systems based on this principle monitor only temperature. However, they may offer one significant advantage over most other techniques, including that of the present application ; namely, the ability to provide the profile of the sensed parameter along the entire length of the fibre.

Nevertheless, it would be a significant advance to be able to also obtain real-time, quasi-static and dynamic information about any form of disturbance to the optical

5 fibre, particularly transient events which are too quickly  
occurring to detect with OTDR techniques. This can be  
achieved by combining a distributed sensing technique  
incapable of locating the events with a compatible  
5 technique which is capable of locating the events. This  
would have the further advantage of monitoring any  
structure or material near the fibre or to which the fibre  
is attached. Such a capability should enable truly  
distributed sensing applications such as structural  
10 integrity monitoring, pipeline leak detection, ground  
monitoring, machine condition monitoring and intrusion  
detection of high security areas.

#### BRIEF SUMMARY OF THE INVENTION

15 The object of the present invention is to provide a  
waveguide transmissive counter-propagating signal method  
and associated systems for locating events in waveguide  
sensing systems.

20 The present invention provides an apparatus for monitoring  
a structure and for locating the position of an event  
including;

- 25 a light source;
- a waveguide for receiving light from the  
light source so that the light is caused to propagate in  
both directions along the waveguide to thereby provide  
counter-propagating optical signals in the waveguide, the  
waveguide being capable of having the counter-propagating  
30 optical signals or some characteristic of the signals  
modified or effected by an external parameter caused by or  
indicative of the event to provide modified counter-  
propagating optical signals; and
- 35 detector means for detecting the modified  
counter-propagating optical signals effected by the  
parameter and for determining the time delay or difference



length of the optical fibre which forms the waveguide. Furthermore, it operates in a transmissive configuration, thus, delivering substantially the entire optical signal and power back to the detector and not requiring signal averaging, and it determines the location of events via the time delay measurement between counter-propagating optical signals effected by the same disturbance.

Examples of non-locating distributed fibre optic sensing techniques which the present invention could be compatible with, without imposing any limitations, include:

- Modalmetric interferometers
- Sagnac interferometers
- Michelson interferometers
- Long-length Fabry-Perot interferometers
- Mach-Zehnder interferometers
- Two-mode interferometers

Preferably the waveguide is a silica waveguide.

Preferably the light from the light source is launched simultaneously into opposite ends of the waveguide.

Preferably the light source is a single light source. However, in other embodiments two CW or synchronised light sources could be used for launching light simultaneously into opposite ends of the waveguide.

Preferably the waveguide is one or more optical fibres which forms an event sensitive optical fibre.

Preferably further silica waveguides are connected to the sensing waveguide at either or both ends in order to add additional delay between the transmissive counter-propagating signals and to provide insensitive lead waveguides.

Preferably the detector means comprises:

first and second photodetectors for simultaneously receiving the radiation from the counter-propagating signals in the silica waveguide; and

5 processing means for receiving signals from the first and second photodetectors for determining the time delay or difference between the signals effected from the same disturbance and therefore determining the location of the sensed event.

10

Preferably a waveguide coupler or set of couplers is arranged between the light source and photodetectors and the silica waveguide so that the light can be simultaneously transmitted from the light source to both ends of the silica waveguide and the detector means also being connected to the coupler or couplers so that the counter-propagating transmissive radiation can be directed via the coupler or couplers from the silica waveguide to the detector means.

20

The invention also provides a method for monitoring a structure to locate the position of an event, including the steps of;

25 launching light into a waveguide so that the light is caused to propagate in both directions along the waveguide to thereby provide counter-propagating optical signals in the waveguide, the waveguide being capable of having the counter-propagating optical signals or some characteristic of the signals modified or effected by an external parameter caused by the event, to provide counter-propagating optical signals; and

30

detecting the modified counter-propagating optical signals effected by the parameter and for determining the time delay or difference between the modified signals in order to determine the location of the event.

35



Preferably the light is launched into both ends of the waveguide to provide the counter-propagating signals.

5 Preferably the light is launched into both ends of the waveguide from a single light source.

The preferred embodiment provides a waveguide transmissive counter-propagating signal method and associated systems for locating events in optical waveguides, which may  
10 include:

providing an optical fibre (single or multi moded) formed from a waveguide material designed to simultaneously transmit counter-propagating optical signals;

15 providing a sensor configuration (single or multi moded), with any appropriate waveguide length, any suitable geometry and compatible with the waveguide transmissive counter-propagating signal method and associated systems for locating events in optical  
20 waveguides, designed to optimise the sensor sensitivity and detection capabilities;

providing a lead optical fibre (single or multi moded) formed from a waveguide material which acts as an insensitive light guide between the sensing fibre and the  
25 sensing and locating system optics and optoelectronics interface;

providing a lead optical fibre (single or multi moded) formed from a waveguide material which acts as an insensitive light guide between the sensing fibre and the  
30 excitation source;

fusion splicing, or otherwise connecting, the sensor waveguide and the lead optical fibres so that cores of the waveguides are aligned and remain fixed at the splice;

35 delivering the counter-propagating signals from the waveguide sensor, via the lead optical fibres, to an appropriate optical and electronic arrangement such that

09857340 04525850

the time delay or difference between the signals may be measured and utilised to determine the location of the sensed event; and

5           registering any changes in the waveguide sensor optical signals that may be utilised with a compatible sensing technique, such that the sensed parameter may be quantified and/or identified.

10           The preferred embodiment may also be said to reside in a method for producing a waveguide transmissive counter-propagating signal method and associated systems for locating events in optical waveguides, including, but not limited to, the steps of:

15           •     Preparing an optical fibre (single or multi moded) formed from a waveguide material designed to simultaneously transmit counter-propagating optical signals.

20           •     Preparing a sensor configuration (single or multi moded), with any appropriate waveguide length, any suitable geometry and compatible with the waveguide transmissive counter-propagating signal method and associated systems for locating events in optical  
25           waveguides, designed to optimise the sensor sensitivity and detection capabilities.

30           •     Preparing a waveguide sensor and optical fibre lead by cleaving or polishing their ends so as to establish a flat, smooth surface. After taking necessary precautions to remove any contaminants from the cleaved or polished waveguide sensor and fibre lead end-faces, the waveguide sensor and fibre lead are placed end-to-end in a fusion splicing apparatus and fused together using the  
35           appropriate or desired fusion are times and currents. The fusion splicing procedure may be repeated a number of times if necessary. The core and overall diameters of the



• In other embodiments a plurality of singlemode fibres are fusion spliced to respective multimode fibres and the plurality of singlemode fibres are connected to a coupler which in turn is connected to a further singlemode fibre to form a multiplexed sensor arrangement.

• In an alternate arrangement, the sensor fibre may be replaced by two or more suitably configured optical fibres (single or multi moded) and additional couplers may be utilised to connect the plurality of sensor fibres to the fibre optic leads. In this arrangement, a further number of couplers and photodetectors may be required at the instrumentation to facilitate the increased number of sensing and lead fibres.

• In a preferred embodiment of the above alternate arrangement the sensing part is formed by two suitably configured singlemode fibres and the insensitive leads are singlemode fibres. The two sensing fibres are connected to a lead fibre by the use of a singlemode coupler at either or both ends.

The present invention is effective on any optical waveguiding distributed sensing technique that may be arranged in a transmissive configuration. In a preferred embodiment, but without limitation, the distributed sensing technique is based on a modalmetric technique utilising the fusion splicing of insensitive singlemode fibre to sensitive multimode fibre. In yet another preferred embodiment, but without limitation, the distributed sensing technique is based on a Mach-Zehnder or Michelson interferometer utilising two singlemode fibres as the sensitive region.

Preferably the waveguide comprises at least one optical fibre and/or at least one optical fibre device. In some embodiments of the invention the waveguide may merely

comprise an optical fibre without any additional elements. However, the optical fibre can include passive or active elements along its length. Furthermore, the optical fibre can include sensing elements along its length and those  
5 sensing elements can comprise devices which will respond to a change in the desired parameter in the environment of application and influence the properties and characteristics of the electromagnetic radiation propagating in the waveguide to thereby provide an  
10 indication of the change in the parameter.

Preferably any suitable CW or pulsed single-frequency or multiple wavelength source or plurality of sources may be employed. In a preferred embodiment, without limitation,  
15 a CW or pulsed coherent laser diode is utilised to supply the optical signal. In an alternate arrangement, multiple light sources, of the same or varying wavelengths, may be used to generate the counter-propagating signals. The preferred embodiments of the present invention offer  
20 the potential to utilise all-fibre, low-cost optical devices in conjunction with laser diodes, light emitting diodes, photodetectors, couplers, isolators, circulators and filters. Any suitable light source, coupler and photodetector arrangement may be used with the sensor and  
25 locating systems. In a preferred embodiment, the required optical properties of the light source are such that light may be launched into and propagated in the singlemode waveguide. For localisation, the light propagated in a  
30 singlemode fibre must remain singlemoded during the entire period of travel in the singlemode fibre. Once the light is launched into the multimode fibre from the singlemode fibre, several modes may be excited and the multimoded fibre will be sensitive to various parameters. Once the  
35 light is launched back into the singlemode fibre from the multimode fibre, only a single mode is supported and travels to the optical components of the system. Lead-in/lead-out fibre desensitisation and sensor localisation

is achieved in this manner. In practical applications, the singlemode fibre should be made sufficiently long to attenuate all cladding modes in order to improve the signal-to-noise ratio. This preferred embodiment applies  
5 for both directions of travel of the transmissive counter-propagating optical signals.

Utilisation of properties and characteristics of the electromagnetic radiation propagating in the waveguide  
10 sensor enables monitoring to take place in a non-destructive manner. Thus, the sensor is not necessarily damaged, fractured or destroyed in order to monitor and locate the desired parameter.

15 In the method, according to the preferred embodiment of the invention, electromagnetic radiation is launched into an optical waveguide (single or multi moded), such as an optical fibre, from a light source, such as a pigtailed laser diode, fibre laser or light emitting diode, and  
20 propagates along the optical waveguide. The optical waveguide is connected (temporarily or permanently) to one arm of an optical waveguide light splitter or coupler and when the electromagnetic radiation reaches the light splitter the electromagnetic radiation can branch out into  
25 the two output waveguide arms of the light splitter. Each of the output arms of this light splitter are fusion spliced to other couplers, thus the optical radiation from the laser source is simultaneously launched into each of the other two couplers. These two couplers form the  
30 launch and detection ports for the dual-ended, counter-propagating method described above. The optical signal is simultaneously launched to the output waveguide arms of the couplers. Only one output arm is used in each  
35 coupler, the other is fractured or otherwise terminated to avoid back-reflections. The output arms of the couplers are either connected (temporarily or permanently) directly to the waveguide sensing element or to a lead optical

5 waveguide which is connected (temporarily or permanently) to the waveguide sensing element. Any one of the output waveguide arms of the light splitter may be used to deliver the electromagnetic radiation to the sensor waveguide via an optical waveguide lead. Likewise, a plurality of output waveguide arms may be used to deliver the electromagnetic radiation to a number of individual or multiplexed waveguide sensors. Each of the counter-propagating signals transmitted into the waveguide sensor propagates along the entire length of the waveguide until they reach the opposite ends and are launched back into the latter couplers in the opposite direction to the initial launch signals. The signals are each split in the reverse direction through the latter couplers. Part of the signals travel back towards the first coupler and laser, and the remainder of the signals travel along the unused arms of the latter couplers, which are terminated at photodetectors. The optical signals are simultaneously monitored by the two photodetectors. Appropriate electronics, signal processing schemes and algorithms process the signals from each detector and provide the location of the sensed event by determination of the time delay or difference between the signals effected by the same disturbance. The insensitive fibre optic leads may be very long to provide an additional time delay between the optical signals. This may assist engineering the technique into a practical working system.

30 In the method, according to an alternate preferred embodiment of the invention, the sensing section is formed by two or more suitably configured fibres (single or multimoded) and the insensitive leads are singlemode fibres. The plurality of sensing fibres are connected to the lead fibres by the use of additional singlemode couplers at either or both ends of the sensing fibres.

Preferably the instrument optical and electronic arrangements will utilise noise minimisation techniques.

Preferably, all the optical and electrical components will  
5 be located in a single instrument control box, with individual optical fibre input ports.

Electro-optic devices, acousto-optic devices, magneto-optic devices and/or integrated optical devices may also  
10 be utilised in the system.

The invention provides an apparatus for monitoring an optic fibre communication link into which data signals are launched and from which the data signals are received, and  
15 for locating the position of a disturbance to the link including;

a light source for launching light into the link so that the light is caused to propagate in both directions along the link to thereby provide counter-propagating optical signals in the link, the link being  
20 capable of having the counter-propagating optical signals or some characteristic of the signals modified or effected by the disturbance to provide modified counter-propagating optical signals; and

25 detector means for detecting the modified counter-propagating optical signals and for determining the time delay or difference between the modified counter-propagating optical signals in order to determine the location of the disturbance.

30 The invention still further provides a method for monitoring an optical fibre communication link into which data signals are launched and from which the data signals are received, to locate the position of a disturbance to  
35 the link, including the steps of;

launching light into the link so that the light is caused to propagate in both directions along the link

09557340 000401  
F04050" 04E25860



to thereby provide counter-propagating optical signals in the link, the link being capable of having the counter-propagating optical signals or some characteristic of the signals modified or effected by the disturbance to provide  
5 counter-propagating optical signals; and

detecting the modified counter-propagating optical signals effected by the disturbance and for determining the time delay or difference between the modified signals in order to determine the location of the  
10 disturbance.

#### BRIEF DESCRIPTION OF THE DRAWINGS

Preferred embodiments of the present invention will be  
15 further illustrated, by way of example, with reference to the following drawings in which:

Figure 1 is a view showing a general embodiment of the invention;

Figure 2 is a view showing an embodiment of the  
20 invention, utilising a modalmetric sensing technique;

Figure 3 is a view showing a further embodiment of the invention, utilising a Mach-Zehnder interferometric sensing technique;

Figure 4 shows an integrated fibre optic sensing  
25 and communication system, utilising a modalmetric sensing technique;

Figure 5 is a view showing yet a further embodiment of the invention;

Figure 6 is an oscilloscope plot illustrating  
30 the actual response of a system formed by the method of a preferred embodiment of the present invention, as detailed in Figure 5, when a perturbation acts on the fibre of a 14.71 km fibre link;

Figure 7 is another oscilloscope plot  
35 illustrating the actual response of a system formed by the method of a preferred embodiment of the present invention,

as detailed in Figure 5, when a perturbation acts on the fibre of a 14.71 km fibre link; and

Figure 8 shows a combined fibre optic sensing and communication arrangement, utilising a modalmetric sensing technique and the ability to locate disturbances formed by the method of the preferred embodiments of the present invention;

Figure 9 is a view of a further embodiment of the invention; and

Figure 10 is a view of a still further embodiment of the invention.

#### DETAILED DESCRIPTION OF THE PREFERRED EMBODIMENTS

With reference to Figure 1, a general set-up is illustrated where the distributed sensor 10 may be preceded and succeeded by certain arbitrary lengths of insensitive fibre leads 14a and 14b. It is important to emphasise that neither one or both of the insensitive fibre leads 14a and 14b are required for the methodology; they simply provide additional optical delay lines in order to add additional delay between the transmissive counter-propagating signals, to provide insensitive lead fibres and/or to facilitate specific placement of the sensing region(s). This may assist engineering the technique into a practical working system. The insensitive leads 14a and 14b may be fusion spliced 17, or otherwise connected, to the sensing fibre 10.

The optical fibre link (total distance  $d_x$ ) is made up of an insensitive section 14a, of length  $d_a$ , fusion spliced 17 to a sensitive section 10, of length  $d_b$ , and finally fusion spliced 17 again to a third insensitive section 14b, of length  $d_c$ . The aim of the set-up is to locate a disturbance 18 (at point C) along the sensitive section of the fibre link 10 (between points B and D).

By injecting laser light into both points A and E simultaneously, the fibre link has two counter-propagating

light beams. A perturbation 18 anywhere along the sensitive part of the fibre link 10 will cause two identical perturbation signals each to propagate in alternate directions; that is, from point C towards point E, and from point C towards point A. If the difference in time of arrival of each signal (respectively at points A and E) is known, then the point along  $d_b$  at which the disturbance occurred can be calculated using the following equations:

$$\begin{aligned} d_x &= d_a + d_b + d_c \\ &= d_a + d_{b1} + d_{b2} + d_c \end{aligned} \quad (1)$$

The difference in time of arrival of each signal (respectively at points A and E),  $\Delta t$ , is given by:

$$\Delta t = (\Delta t_{b2} + \Delta t_c) - (\Delta t_{b1} + \Delta t_a) \quad (2)$$

where  $\Delta t_a$ ,  $\Delta t_{b1}$ ,  $\Delta t_{b2}$ ,  $\Delta t_c$ , refer to the time taken for an optical signal to travel along  $d_a$ ,  $d_{b1}$ ,  $d_{b2}$ , and  $d_c$ , respectively, and can be calculated for known distances using  $t = d/v$ , where  $v$  is the speed of the optical signal given by  $c/n_{\text{fibre}}$ , where  $c$  is the speed of light in a vacuum ( $3 \times 10^8$  m/s) and  $n_{\text{fibre}}$  is the effective refractive index of the optical fibre.

Rewriting the equation for  $\Delta t$ , we have:

$$\Delta t = \frac{d_{b2} + d_c - d_{b1} - d_a}{v} \quad (3)$$

Using the equation for  $d_x$  we can substitute  $d_{b2} = d_x - d_a - d_c - d_{b1}$ , giving:

$$\begin{aligned} \Delta t &= \frac{d_x - d_a - d_c - d_{b1} + d_c - d_{b1} - d_a}{v} \\ &= \frac{d_x - 2d_a - 2d_{b1}}{v} \\ &= \frac{d_x - 2(d_a + d_{b1})}{v} \end{aligned} \quad (4)$$

Therefore, the point of disturbance referenced from point A is given by:

$$\text{Point of disturbance}_A = (d_a + d_{b1}) = \frac{d_i - (v\Delta t)}{2} \quad (5)$$

Similarly, the point of disturbance referenced from point E is given by:

$$\text{Point of disturbance}_E = (d_c + d_{b2}) = \frac{d_i + v\Delta t}{2} \quad (6)$$

It is interesting to note that this result illustrates that it is required to only know the length of the entire fibre link,  $d_x$ , and not the respective lengths of the various sensitive and insensitive fibre regions in the system. This information can be easily obtained at the design and installation stages of a project, or post-installation by the use of an OTDR. Then, once the total length is known and the time delay,  $\Delta t$ , is measured by the system, it is a straight forward calculation using Equations 5 or 6 to determine the location of the sensed event.

In the embodiment of Figure 2, CW coherent laser light is launched into a singlemode optical fibre 15, from a pigtailed laser diode 20 and fibre isolator 22, and propagates along the optical fibre 15. The optical fibre 15 is fusion spliced 41 to one arm of a singlemode fibre optic coupler 24 and when the light reaches the coupler 24 the light can branch out into the two output arms of the coupler 24. Each of the output arms of this coupler 24 are fusion spliced 42a and 42b to other singlemode fibre couplers 26a and 26b, respectively, thus the light from the laser source 20 is simultaneously launched into each of the other two couplers 26a and 26b. These two couplers 26a and 26b form the launch and detection ports for the dual-ended, counter-propagating method utilising a modalmetric sensing technique. The optical signal is



signals from each detector 30a and 30b and provide the location 18 of the sensed event by determination of the time delay or difference between the signals effected by the same disturbance. The insensitive fibre optic leads 5 14a and 14b may be very long to provide an additional time delay between the optical signals, if required.

In the embodiment of Figure 3, CW coherent laser light is launched into a singlemode optical fibre 15, from a pigtailed laser diode 20 and fibre isolator 22, and propagates along the optical fibre 15. The optical fibre 15 is fusion spliced 41 to one arm of a singlemode fibre optic coupler 24 and when the light reaches the coupler 24 the light can branch out into the two output arms of the coupler 24. Each of the output arms of this coupler 24 are fusion spliced 42a and 42b to other singlemode fibre couplers 26a and 26b, respectively, thus the light from the laser source 20 is simultaneously launched into each of the other two couplers 26a and 26b. These two couplers 26a and 26b form the launch and detection ports for the dual-ended, counter-propagating method utilising a Mach-Zehnder interferometric sensing technique. The optical signal is simultaneously launched to the output arms 27a, 27c and 27b of the couplers 26a and 26b. Only one output arm 27b from coupler 26b is used, all other unused arms of couplers are fractured or otherwise terminated to avoid back-reflections 19. The output arms 27a, 27c and 27b of the couplers 26a and 26b are terminated at singlemode fibre optic bulkhead connectors (through adaptors) 28a, 28c and 28b. Connectorised singlemode sensing fibres 10a and 10c are connected to the through adaptors 28a and 28c, respectively, such that the light from coupler 26a is simultaneously launched into the fibre link in one direction. Alternately, a further coupler could be used with arms 10a and 10c to replace using arm 27c and adaptor 28c. Similarly for the counter-propagating signal, a connectorised singlemode fibre lead 14 is connected to the

through adaptor 28b, such that the light from coupler 26b is launched into the fibre link in the opposite direction. The singlemode sensing fibres 10a and 10c are fusion spliced 45 and 46, respectively, to one end of a singlemode coupler 60 and the singlemode fibre lead 14 is fusion spliced 47 to one arm of the coupler 60 on the opposite side, thus forming the transmissive counter-propagating sensing loop configuration required. The unused arm of coupler 60 is fractured or otherwise terminated to avoid back-reflections 19. Each of the counter-propagating signals transmitted through the fibre arrangement propagates along the entire length of the fibre link until they reach the opposite ends and are launched back through bulkhead connectors 28a, 28c and 28b into the couplers 26a and 26b, respectively, in the opposite direction to the initial launch signals. The signals are each split in the reverse direction through couplers 26a and 26b. Part of the signals travel back towards the first coupler 24 and laser 20, and the remainder of the signals travel along the arms 16a and 16b of the latter couplers 26a and 26b, respectively, which are terminated at photodetectors 30a and 30b. The fibre isolator 22 is used to reduce the amount of light launched back into the laser diode. The optical signals are simultaneously monitored by the two photodetectors 30a and 30b. Appropriate electronics, signal processing schemes and algorithms process the signals from each detector 30a and 30b and provide the location 18 of the sensed event by determination of the time delay or difference between the signals effected by the same disturbance. The insensitive fibre optic lead 14 may be very long to provide an additional time delay between the optical signals, if required.

Figure 4 illustrates an integrated fibre optic sensing and communication system, utilising a modalmetric sensing





transmitter end of the link will allow the location of the disturbance to be determined.

5 With reference to Figure 8 a communication cable 150 is shown which includes a communications fibre 151. One end of the fibre 151 is connected to a transmitter 152 and the other end to a receiver 153. The transmitter 152 transmits data into the fibre 151 for receipt by the receiver 153.

10 The cable 150 also includes a multimode fibre 155 which is spliced to a single mode fibre 156 at splice point 157. A further single mode fibre 158 is spliced to the multimode fibre 155 at 159. The fibres 155, 156 and 158 are formed in a loop configuration within the cable 150 so that the ends 160 and 161 of the continuous fibre formed by the fibres 155, 156 and 158 are adjacent one another.

15 As previously explained, counter-propagating signals are launched into the two ends 160 and 161 of the fibres 155, 156 and 158 and detectors (not shown) are arranged for detecting the two counter-propagating signals which emanate from the two ends 160 and 161.

20 Any attempt to break into the cable 150 to physically access fibre 151 will necessarily disturb the multimode fibre 155 which is the sensing fibre and therefore the two counter-propagating perturbation signals will be produced and detected at the ends 160 and 161 in the manner  
25 previously described. By determining the time differential between the receipt of the two modified or perturbation signals the location of the attempted break-in can be determined.

30 Although in the preferred embodiment shown in Figure 8 the fibres 155, 156 and 158 loop back on one another so the two ends 160 and 161 are adjacent one another, it would be

possible to provide a single sensing multimode fibre which runs generally parallel with the fibre 151 and launch light into both ends of the fibre from opposite ends of the cable 150 and also detect light from both ends and synchronising the photodectors so as to obtain the time differential to locate the position of the attempted break-in.

#### EXAMPLES OF THE PREFERRED EMBODIMENTS

Preferred embodiments of the present invention have been tested illustrated by the following example. The optical fibre transmissive counter-propagating signal method and associated system was constructed in order to demonstrate the feasibility of producing the invention described herein. Not all of the results obtained to date are detailed in the following example.

#### Example: Location of Point of Disturbance Using the Modalmetric Effect:

It has long been known that when a multimode optical fibre is disturbed, the distribution of the modes is affected. This modulation of the modal distribution in a multimode fibre is known as the modalmetric effect. The modalmetric effect in a multimode fibre can be used to sense and monitor vibrations, disturbances or movement of the fibre itself, or any structure or object the fibre is attached to, by detecting an intensity change in the speckle pattern output of the fibre. Modalmetric sensors can therefore be used as vibration sensors in structural monitoring, condition monitoring of high voltage equipment, intrusion detection of cables or pipelines, and in fence perimeter security.

Initially, optical fibres were deployed mainly in long-haul and high-speed telecommunication systems. However,

with the decrease in cost of optical fibre cable, and optoelectronic sources and detectors, optical fibres are now being used as the main carrier in many other communications applications such as, LAN/WAN backbones, and in the private communications networks of many small and large organisations (ie., banks, defence, government, public utilities and multinationals). Many of these communications networks involve the transfer of sensitive information which has made the security of the communications link a high priority.

The modalmetric effect can easily and effectively be employed to guard against any intrusion into or tampering with an optical fibre cable. A typical set-up where the sensing is integrated into a fibre communications system is shown in Figure 4.

Both the sensing system 100a (i.e. laser) and 100b (detector and processor) and the communication system 200a (transmitter) and 200b (receiver) are integrated into the same optical fibre 10. The wavelength of the sensing system is chosen so as not to interfere with the communications signal (via wavelength multiplexing) and also such that the fibre link is multimoded for the sensing wavelength. Several other configurations are possible, however, they all work on the same principle. The modalmetric processing unit will detect any perturbation at any point along the fibre link.

Up until now, the modalmetric sensing effect has only had the capability of sensing disturbances along a distributed multimode optical fibre sensing length, without being able to locate the exact point of the disturbance. Recent experiments by the inventors have shown that it is now possible to locate the disturbance by determining the time delay between two counter-propagating signals, according to the method of the invention described herein. The

experimental work is described below for the arrangement illustrated in Figure 5.

The set-up described in Figure 5 is similar to that in Figure 1, with two counter-propagating light signals A<sup>1</sup> and B<sup>1</sup> in the fibre link. Again, the sensing fibre 10 (which may be for example 2km long and located between splicing points 105 and 107) may be a dedicated fibre in the fibre cable, or the same fibre as the communications fibre. The fibre 10 is connected to insensitive lead fibres 109 and 111 which form the ends of the waveguide network. The lead fibre 109 is connected to an insensitive fibre 113 of significant length (such as 5km) via splice 115 and the fibre 113 is spliced at 117 to a sensitive multi-mode fibre 119 via splice 117. The fibre 119 is connected to the fibre 10 via splice 107. The fibre 119 may be of significant length such as 8.8km. If a perturbation P is applied to the multimode fibre at the point indicated (point A), two similar or identical time varying optical signals will be generated consistent with the modalmetric effect, each travelling in the opposite direction. The perturbation signal consistent with Input 1 (PS1) will arrive at Port 2 (Output 1) before the perturbation signal consistent with Input 2 (PS2) arrives at Port 1 (Output 2). This is due to the fact that PS2 needs to propagate through for example 14.71 km (the difference in distance between A to Port 1 and A to Port 2) more optical fibre than PS1. By measuring the time delay between the two perturbation signals, the location of the disturbance can be calculated. In the above set-up, assuming a refractive index for the fibre of 1.457, then the time difference between the two signals can be calculated as:

$$\Delta t = \frac{14.71 \times 10^3 \text{ m}}{(3 \times 10^8 \text{ m/s}) / (1.457)} = 71.49 \mu\text{s}$$

Several measurements were performed on a transmissive counter-propagating fibre arrangement described in Figure 5. An experimental set-up the same as that detailed in Figure 2 was used to measure the perturbation signals and a Hewlett Packard 54810A Infinium digitising oscilloscope was used to sample the perturbation signals and manually measure the resultant time difference. Figures 6 and 7 illustrate results from two such data captures. As can be seen from both captures, there is clearly a delay between the two perturbation signals, which has been measured as 65  $\mu$ s and 70  $\mu$ s respectively, comparing well with the theoretical calculation of 71.5  $\mu$ s. The error (effectively 300 m) may be a result of the assumption of the value of the effective refractive index of the fibres and by the inaccuracy in the manual measurement of the time delay. These errors could be reduced by knowing the actual effective refractive index of the fibre and by employing digital signal processing means to accurately determine the time delay.

Figures 9 and 10 show further embodiments of the invention in which a common waveguide is used for both transmission of data (for example a fibre communication link) and also forms the sensing fibre for determining any attempt to interfere with the fibre. These embodiments has particular application to securing communication links and indicating any attempt to break into the communication link so as to tap off data from the communication link. Figure 10 shows a loop configuration and Figure 9 a configuration without a loop.

In Figure 9 an optical fibre 200 forms the communication link for transmitting data from one place to another. The fibre 200 is preferably single moded at a wavelength of 1550 nm (which will be the data transmission wavelength) and multimoded at a wavelength of 850 nm (which will be the sensing frequency). Data is launched into the fibre

200 from a transmitter 210 which may include a pigtailed laser diode with an integrated isolator so that data signals are launched into a single moded fibre 212 at the wavelength of 1550 nm. The fibre 212 is spliced at 213 to fibre 214 which is connected to one arm of a coupler 216. The output of the coupler 216 is spliced at 218 to the fibre 200. The fibre 200 is also spliced at 218 to a coupler 220. One of the arms of the coupler 220 is spliced to a single moded fibre 221 which is spliced at 222 to a further single mode fibre 224. The fibres 221 and 224 are single moded at the wavelength of 1550 nm. The fibre 224 is connected to a detector 226 which is sensitive to the wavelength of 1550 nm.

A first counter-propagating sensing system 240 is connected to the other arm of the coupler 216 by a single mode fibre 241 and a multi-mode fibre arm 242 of coupler 216 which are spliced together at splice 243. The fibres 241 and 242 are single moded and multi-moded respectfully at a wavelength of 850 nm which is the sensing wavelength used in the embodiment of Figure 9. The counter-propagating sensing system 240 includes a transmitter such as a pigtailed laser diode for launching the light at the wavelength of 850 nm into the fibre 241, and a detector for detecting light emanating from the fibre 241 in the manner which will be described hereinafter. The system 240 can be identical to the pigtailed laser diode 20 and detector 30a described with reference to Figure 2. The system 240 may include appropriate couplers for enabling light to be launched into the fibre 241 from the pigtailed laser diode and to enable the detector to receive light from the fibre 241. Thus, the sensing light signal is launched into the fibre 241 from the counter-propagating system 240 at a wavelength of 850 nm and is coupled with the data transmission signal from the transmitter 210 in the coupler 216. Both the data transmission signal at a

wavelength of 1550 nm and the sensing signal at a wavelength of 850 nm travel through the fibre 200.

5 The coupler 220 has a second arm which is connected to multi-mode fibre 249 which is spliced at 250 to a further single mode fibre 251. The fibres 249 and 251 are respectively multi moded and single moded at the wavelength of 850 nm. The fibre 251 is connected to a counter-propagating sensing system 260 which is identical  
10 to the system 240. Thus, the system 260 both launches and receives sensing light signals at a wavelength of 850 nm or 670 nm into the fibres 251 and 249 for counter propagation in the fibre 200 to the signals which are launched by the system 240.

15 The data signal at a wavelength of 1550 nm which travels along the fibre 200 is coupled into the fibres 221 and 224 by the coupler 220 with some of the 850 nm signal. The detector 226 detects only the signal at the wavelength of  
20 1550 nm and therefore the data which is transmitted from the transmitter 210 and is InGaAs. Retractors in systems 240 and 260 are Si type and only sensitive to the 850 nm or 670 nm wavelengths.

25 The counter-propagating sensing signals which are launched by the systems 240 and 260 travel in opposite directions along the fibre 200 which is multi moded at the wavelengths of 850 nm or 670 nm. Thus, the multi moded fibre 200 forms a sensitive fibre along its entire length  
30 because it is multi moded at the wavelength of 850 nm or 670 nm and therefore any attempt to break into the fibre 200 so as to tap off data from the fibre 200 will cause a change to the light signal at the wavelength of 850 nm or 670 nm launched into the fibre 200 so that modified  
35 counter-propagating signals which are modified due to the disturbance caused by the attempted break in are received by the detectors in each of the systems 240 and 260. The

location of the attempted break in can be determined in the manner described in the previous embodiments by determining the time difference between the receipt of the modified signals in the system 240 and the system 260 so that the position along the length of the fibre 200 can be determined.

The detectors in the systems 240 and 260 are suitably timed synchronised with one another so that the difference in time between the receipt of the modified signal in the system 240 and receipt of the modified signal in the system 260 can be determined.

Figure 10 shows a further embodiment which is similar to the embodiment of Figure 9 except that rather than having two counter-propagating sensing systems 240 and 260 a single system 270 is utilised and a return loop fibre 271 is coupled to the coupler 220 so that the fibre 200 is effectively looped back to a single system 270 in the same manner as described with reference to Figures 2, 3, 5 and 8. The fibre 271 is single moded at the sensing wavelength so that it is insensitive and therefore any attempt to break into the fibre 200 will cause the modification to the counter-propagating signals launched into the fibre 200 but disturbance of the fibre 271 will not cause any modification to signals in the fibre 271 so that the point of attempted break in in the fibre 220 can be detected.

In this embodiment the counter-propagating signals are launched from the system 270 into the fibre 241 and also the fibre 271 for counter propagation along the fibre 200 concurrently with the data signal launched from the transmitter 210. The data signal is received by the detector 226 in the same manner as described with reference to Figure 9. This embodiment has the advantage of locating the detectors for detecting the counter-



propagating signals at the same place thereby avoiding the need for remote synchronising of detectors which are at different locations as in the embodiment of Figure 9.

5 In the preferred embodiments of the invention the modified signals which are detected by the detectors are any parameter of the light signals which is altered by the disturbance to the sensing fibre. The parameter may be the intensity of the signal so that the detectors for  
10 detecting the counter-propagating signals effectively look at the intensity of the signal which is received and when the intensity changes this is indicative of the receipt of the modified signal caused by the disturbance to the sensing fibre.

15

#### APPLICATIONS OF THE PREFERRED EMBODIMENTS

Optical devices and systems made by the method of the invention are useful in a wide variety of applications and fields. Not inclusive, but indicatively, the following  
20 examples illustrate some potential users of the fibre optic sensing and locating methods described herein:

- Road, rail, dam and bridge maintenance firms.
- Owners, operators and insurers of infrastructure.
- 25 • Pipeline construction companies, contractors and operators.
- Petroleum and petrochemical companies.
- Offshore oil rig operators and maintenance firms.
- Perimeter fence or wall security firms.
- 30 • Security firms.
- Government and military organisations.
- Power generation and distribution industry.
- Power, water and fuel facilities.
- Tower owners and operators.
- 35 • Aircraft manufacturers, repairers and operators.
- Non-destructive evaluation firms and equipment manufacturers.

- R&D companies and laboratories.
- Instrument and sensor manufacturers.
- Sports equipment and facilities manufacturers and operators.
- 5 • Mine operators.
- Owners, operators and insurers of marine vessels.
- Quality Assurance and safety firms.
- Building management firms.
- Industrial equipment operators and manufacturers.
- 10 • Nuclear power plant manufacturers, owners and operators.
- Telecommunications firms or operators.
- Any application requiring the detection, measurement and location of a disturbance to an optical fibre cable.

15

The claimed invention overcomes the disadvantages and limitations of many existing fibre optic distributed sensing techniques. Furthermore, it is capable of detecting and locating dynamic and transient events and it is less complex and lower cost than most other fibre optic distributed sensors capable of locating disturbances. Such a system would offer lower cost and increased operational and safety advantages over existing technologies and has the potential for short and long term installation monitoring in plant and ecological environments.

25

Since modifications within the spirit and scope of the invention may readily be effected by persons skilled within the art, it is to be understood that this invention is not limited to the particular embodiments described by way of example hereinabove.

30

097 857340

JC18 Rec'd PCT/PTO 0 4 JUN 2001

36

THE CLAIMS DEFINING THE INVENTION ARE AS FOLLOWS:

1. (Amended) An apparatus for monitoring a structure and  
for locating the position of an event including;
- 5 a light source;
- a waveguide for receiving light from the  
light source so that the light is caused to propagate in  
both directions along the waveguide to thereby provide  
counter-propagating optical signals in the waveguide, the  
10 waveguide being capable of having the counter-propagating  
optical signals or some characteristic of the signals  
modified or effected by an external parameter caused by or  
indicative of the event to provide modified counter-  
propagating optical signals which continue to propagate  
15 along the waveguide; and
- detector means for detecting the modified  
counter-propagating optical signals effected by the  
parameter and for determining the time difference between  
the receipt of the modified counter-propagating optical  
20 signals in order to determine the location of the event.
2. The apparatus of claim 1 wherein the waveguide  
is a silica waveguide.
- 25 3. The apparatus of claim 1 or 2 wherein light  
source is for launching simultaneously into opposite ends  
of the waveguide.
4. The apparatus of any one of claims 1 to 3  
30 wherein the light source is a single light source.
5. The apparatus of any one of claim 1 to 4 wherein  
the waveguide is one or more optical fibres which forms an  
event sensitive optical fibre.

35

AMENDED SHEET  
IPEA/AJ

097857340

6. The apparatus of any one of claims 1 to 5 wherein further silica waveguides are connected to the said waveguide at either or both ends in order to add

5

additional delay between the transmissive counter-propagating signals and to provide insensitive lead waveguides.

10 7. The apparatus of any one of claims 1 to 6 wherein the detector means comprises:

first and second photodetectors for simultaneously receiving the radiation from the counter-propagating signals in the waveguide; and

15 processing means for receiving signals from the first and second photodetectors for determining the time delay or difference between the signals effected from the same disturbance and therefore determining the location of the sensed event.

20

8. The apparatus of claim 7 wherein a waveguide, coupler or set of couplers is arranged between the light source and the photodetectors and the silica waveguide so that the light can be simultaneously transmitted from the light source to both ends of the silica waveguide and the detector means also being connected to the coupler or couplers so that the counter-propagating transmissive radiation can be directed via the coupler or couplers from the silica waveguide to the detector means.

30

9. The apparatus of any one of claims 1 to 8 wherein the waveguide is for connection to the structure to monitor the structure.

35

10. The apparatus of anyone of claims 1 to 8 wherein the structure comprises the waveguide for transmitting data along the waveguide from one place to another and the

TOP SECRET

waveguide simultaneously receiving the light from the light source to provide the counter-propagating optical signals so as to enable the integrity and security of the waveguide to be monitored.

5

11. The apparatus according to any one of claims 1 to 10 wherein the detector also identifies or quantifies the parameter from the modified counter-propagating optical signals.

10

12. The apparatus of any one of claims 1 to 11 wherein waveguide is arranged in a loop configuration so that light can be simultaneously launched into both ends of the waveguide from a single light source.

15

13. (Amended) The apparatus of claim 11 wherein data signals are supplied to the waveguide so that the waveguide acts as a communication link for transmission of data from one place to another and the launching of the counter-propagating optical signals in the waveguide enables the integrity and security of the waveguide to be monitored.

20

14. (Amended) The apparatus according to claim 11 wherein the waveguide is applied to a structure to monitor the structure.

25

15. (Amended) A method for monitoring a structure to locate the position of an event, including the steps of;  
launching light into a waveguide so that the  
light is caused to propagate in both directions along the waveguide to thereby provide counter-propagating optical signals in the waveguide, the waveguide being capable of having the counter-propagating optical signals or some characteristic of the signals modified or effected by an external parameter caused by the event, to provide modified counter-propagating optical signals which continue to propagate along the waveguide; and

30

35

detecting the modified counter-propagating optical signals effected by the parameter and for determining the time difference between the receipt of the modified signals in order to determine the location of the event.

5

16. The method of claim 13 wherein the light is launched into both ends of the waveguide to provide the counter-propagating signals.

10

17. The method of claim 13 wherein the light is launched into both ends of the waveguide from a single light source.

15

18. The method according to claim 11 wherein the parameter is quantified and/or identified from the modified signals.

20

19. (Amended) A waveguide transmissive counter-propagating signal method for locating events in optical waveguides, which may include:

providing a sensing optical fibre formed from a waveguide material designed to simultaneously transmit counter-propagating optical signals;

25

providing a detector for locating events in optical waveguides,;

providing a lead optical fibre formed from a waveguide material which acts as an insensitive light guide between the sensing fibre and detector;

30

providing a lead optical fibre formed from a waveguide material which acts as an insensitive light guide between the sensing fibre and a light source;

connecting the sensor waveguide and the lead optical fibres so that cores of the waveguides are aligned and remain fixed at the splice;

35

launching counter-propagating light signals into the sensing optical fibre and lead optical fibres, which light signals are modified upon disturbance of the sensing

FOH50" 07E25880

optical fibre so that modified counter propagating optical signals continue to propagate along the sensing fibre;

5 delivering the modified counter-propagating signals from the waveguide fibre, via the lead optical fibres, to the detector so the time difference between the receipt of the modified counter-propagating signals may be measured and utilised to determine the location of the sensed event; and

10 registering any changes in the waveguide sensor optical signals so that the sensed parameter may be quantified and/or identified.

20. (Amended) An apparatus for monitoring an optic fibre communication link into which data signals are launched and from which the data signals are received, and for locating the position of a disturbance to the link including;

15 a light source for launching light into the link so that the light is caused to propagate in both directions along the link to thereby provide counter-propagating optical signals in the link, the link being capable of having the counter-propagating optical signals or some characteristic of the signals modified or effected by the disturbance to provide modified counter-propagating optical signals which continue to propagate along the link; and

25 detector means for detecting the modified counter-propagating optical signals and for determining the time difference between the receipt of the modified counter-propagating optical signals in order to determine the location of the disturbance.

21. The apparatus of claim 20 wherein the link is a silica waveguide.

35

0957340 060441  
FOI 090 0425560

22. The apparatus of claim 20 or 21 wherein the light source is for launching simultaneously into opposite ends of the link.

5 23. The apparatus of any one of claims 20 to 22 wherein the light source is a single light source.

24. The apparatus of any one of claims 20 to 23 wherein the detector means comprises:

10 first and second photodetectors for simultaneously receiving the light from the counter-propagating signals in the link; and  
processing means for receiving signals from the first and second photodetectors for determining the time  
15 delay or difference between the signals effected from the same disturbance and therefore determining the location of the disturbance.

20 25. The apparatus of claim 24 wherein a waveguide coupler or set of couplers is arranged between the light source and the photodetectors and the link so that the light can be simultaneously transmitted from the light source to both ends of the link and the detector means also being connected to the coupler or couplers so that  
25 the counter-propagating signals can be directed via the coupler or couplers from the link to the detector means.

26. (Amended) A method for monitoring an optical fibre communication link into which data signals are launched  
30 and from which the data signals are received, to locate the position of a disturbance to the link, including the steps of;

35 launching light into the link so that the light is caused to propagate in both directions along the link to thereby provide counter-propagating optical signals in the link, the link being capable of having the counter-propagating optical signals or some characteristic of the

FOIA 099/01028



signals modified or effected by the disturbance to provide modified counter-propagating optical signals which continue to propagate along the link; and

5 detecting the modified counter-propagating optical signals effected by the disturbance and for determining the time difference between the receipt of the modified signals in order to determine the location of the disturbance.

10 27. The method of claim 26 wherein the light is launched into both ends of the link to provide the counter-propagating signals.

15 28. The method of claim 26 wherein the light is launched into both ends of the link from a single light source.

0999042560

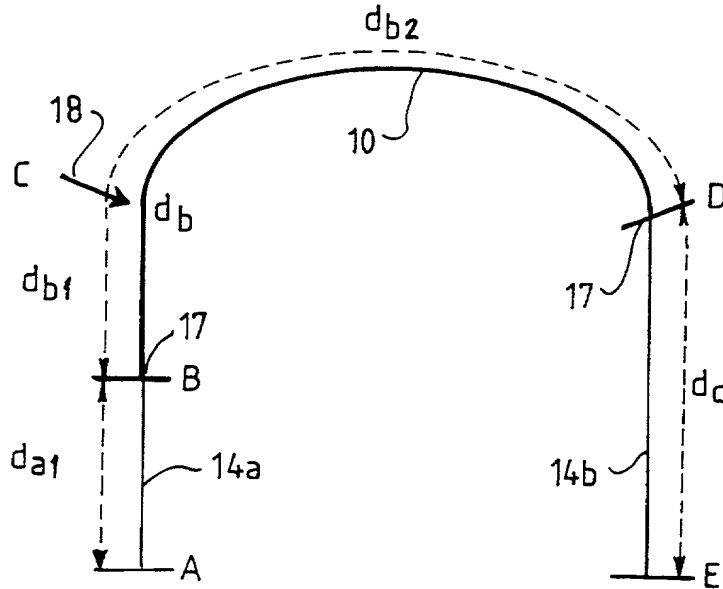


FIG. 1.

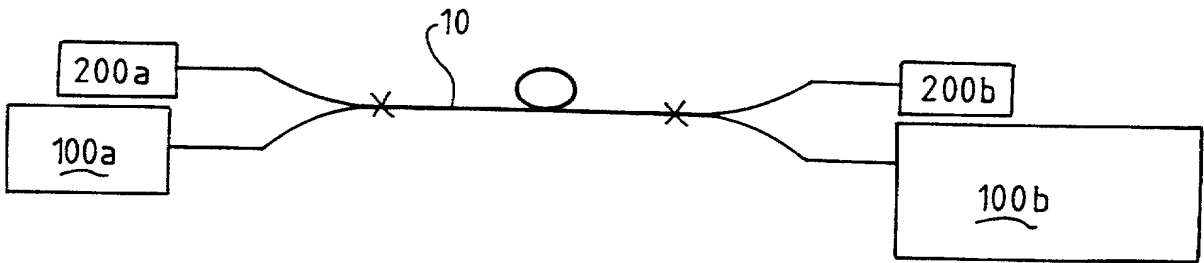
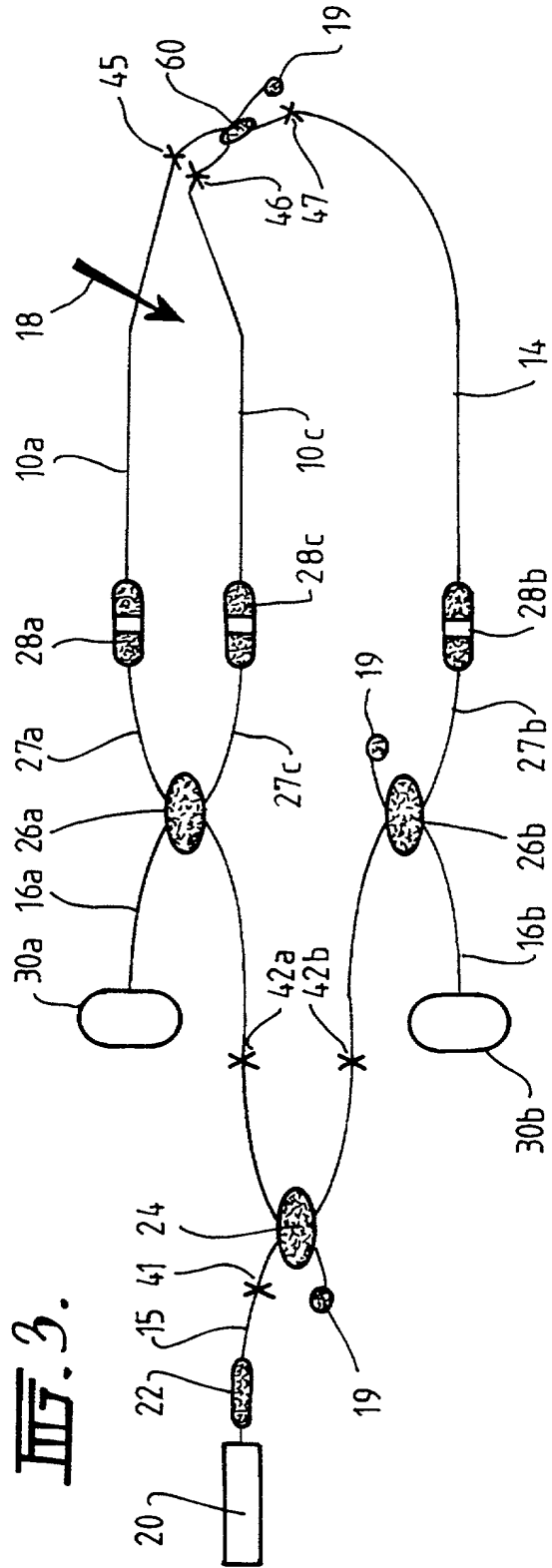
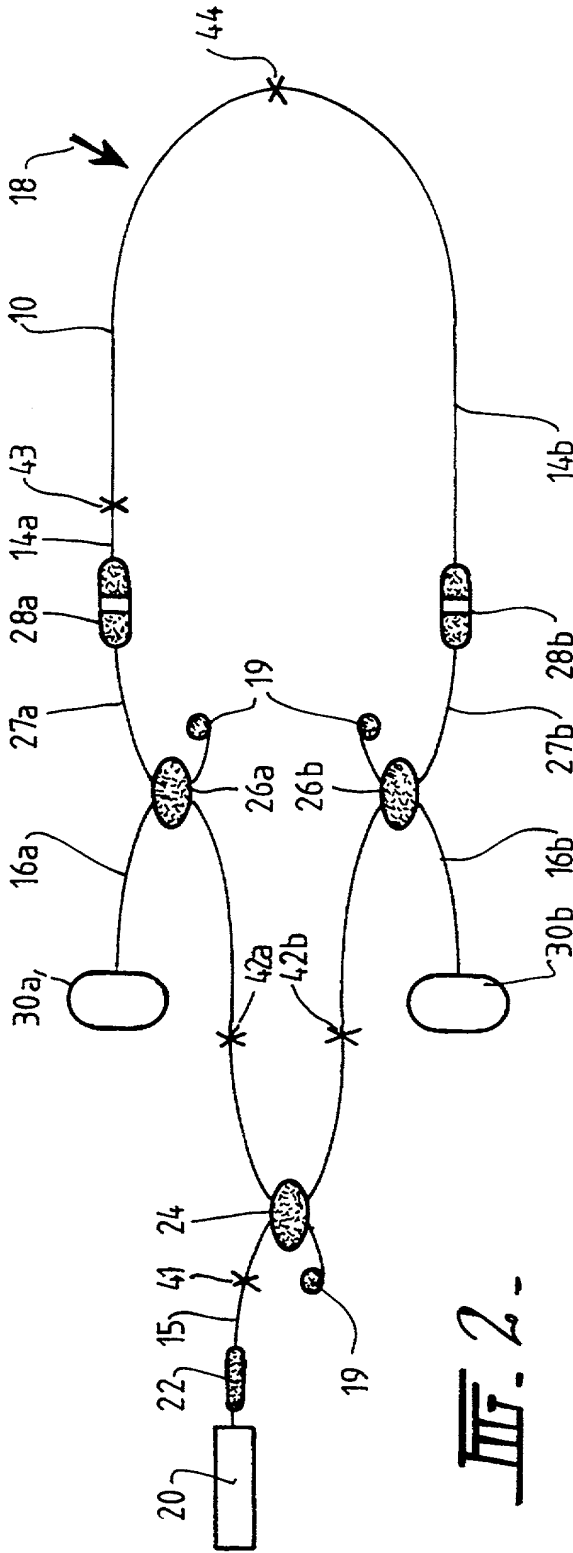


FIG. 4.

FOR OFFICIAL USE ONLY



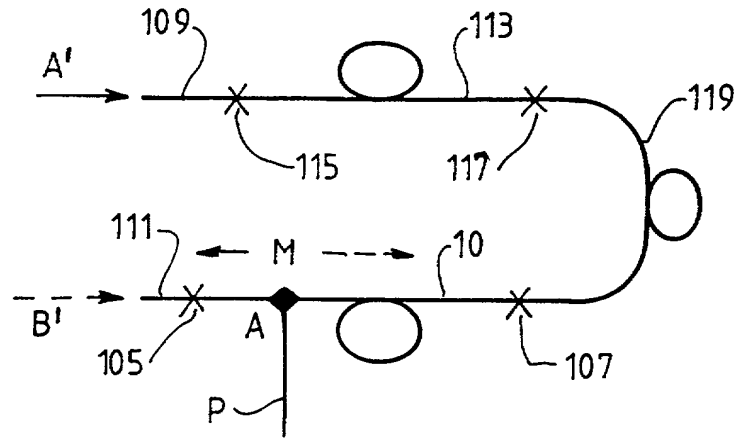


FIG. 5.

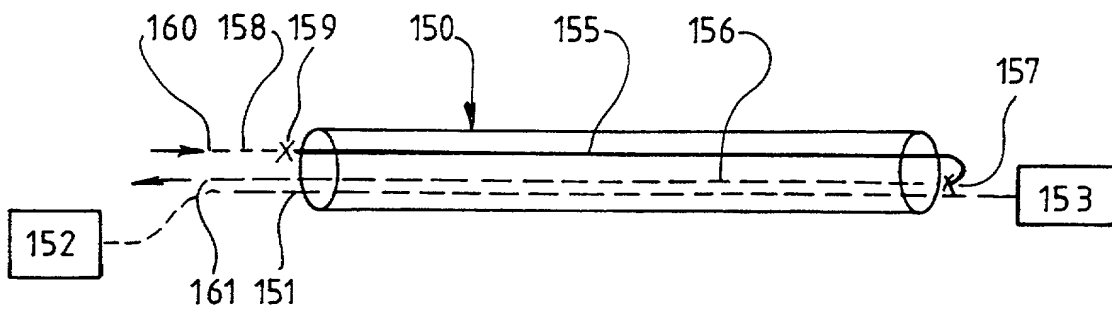
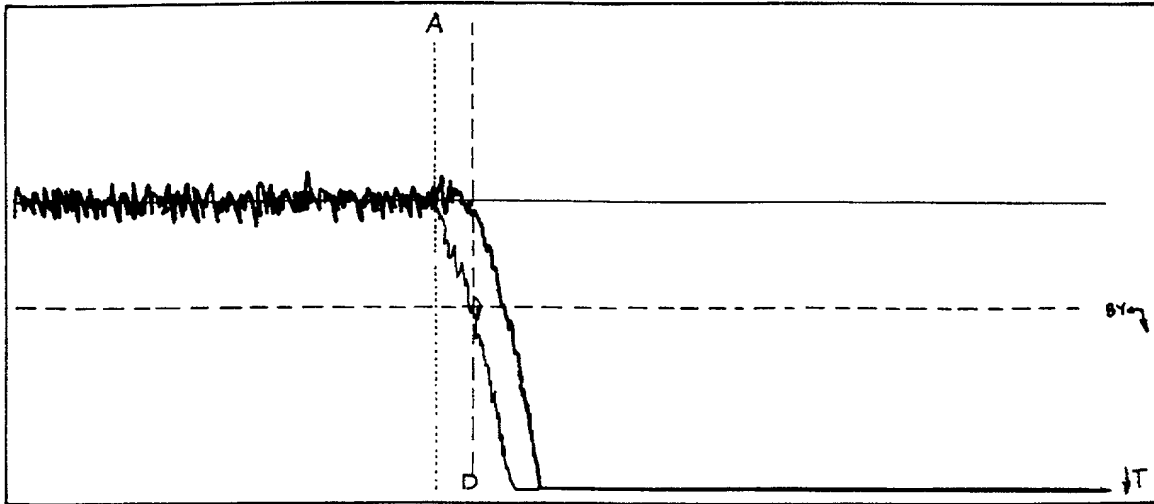


FIG. 8.

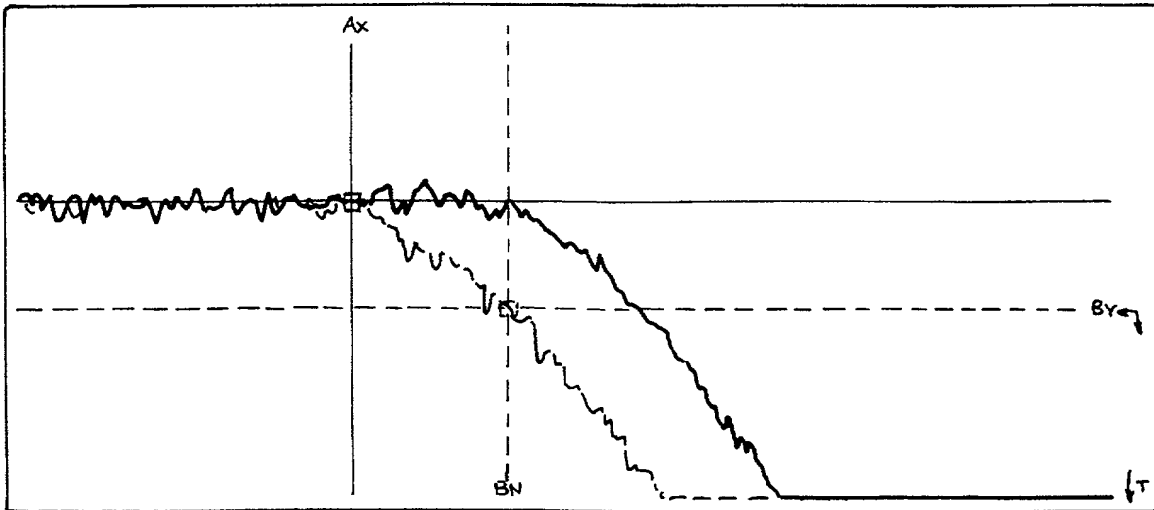
FOR OFFICIAL USE ONLY

09/85/10/10

0987240-060404



III.6 .



III.7.

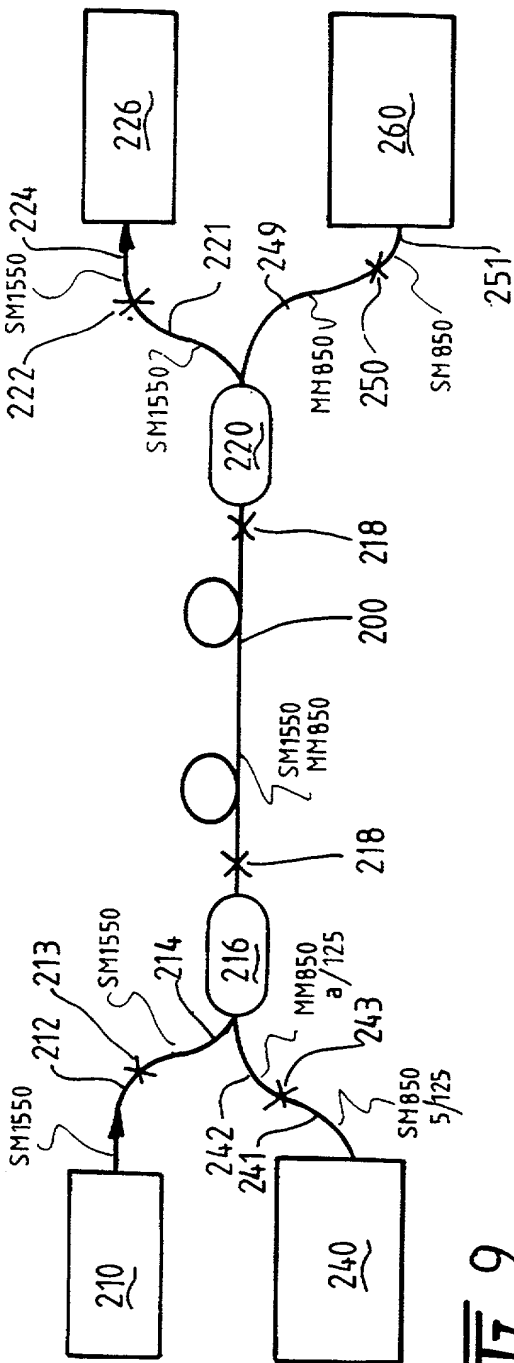


Fig. 9.

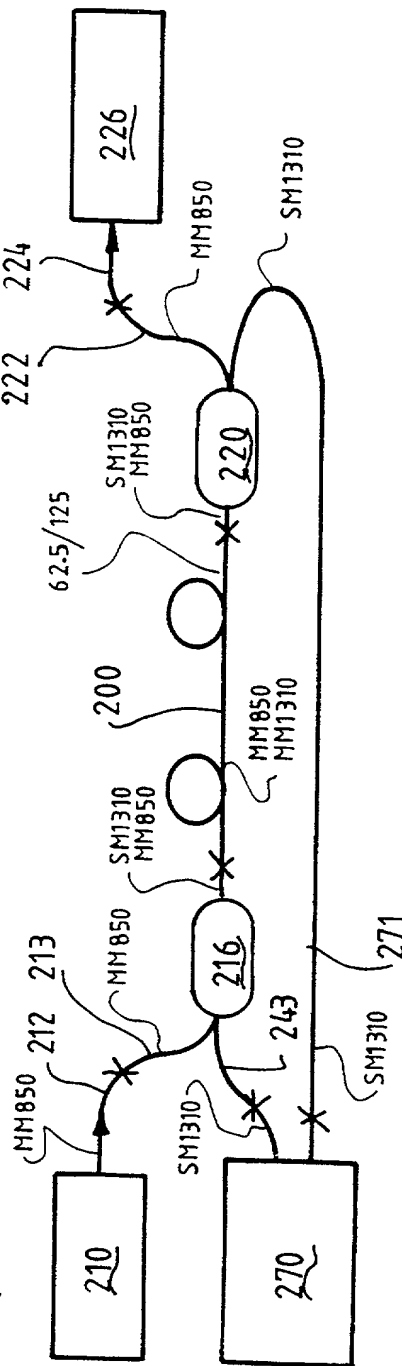


Fig. 10.

Declaration and Power of Attorney For Patent Application

As a below named inventor, I hereby declare that:

My residence, post office address and citizenship are as stated below next to my name.

I believe I am the original, first and sole inventor (if only one name is listed below) or an original, first and joint inventor (if plural names are listed below) of the subject matter which is claimed and for which a patent is sought on the invention entitled Apparatus and Method for Monitoring a Structure Using a Counter-Propagating Signal Method for Locating Events (Attorney Docket No. 43153-9062), the specification of which

(check [ ] is attached hereto.  
one) [ x ] was filed with my authority, on 19/11/99 as Application Serial No. PCT/AU99/01028 and was amended on 14 August 2000 & 21 September 2000. (if applicable)

I hereby state that I have reviewed and understand the contents of the above identified specification, including the claims, as amended by any amendment referred to above.

I acknowledge the duty to disclose to the Patent and Trademark Office all information known to me to be material to patentability as defined in Title 37, Code of Federal Regulations, §1.56.

And I hereby appoint JOSEPH A. GEMIGNANI, (Reg. No. 19,482), ROBERT E. CLEMENCY (Reg. No. 19,287), DAVID B. SMITH (Reg. No. 27,595), GLENN A. BUSÉ (Reg. No. 24,217), FRED WIVIOTT (Reg. No. 19,158), DAVID R. PRICE (Reg. No. 31,557), BAYARD H. MICHAEL (Reg. No. 15,974), CASIMIR F. LASKA (Reg. No. 30,862), DAVID L. DE BRUIN (Reg. No. 35,489), TIMOTHY M. KELLEY (Reg. No. 34,201), BILLIE JEAN STRANDT (Reg. No. 36,940), THOMAS A. MILLER (Reg. No. 36,871), KEVIN P. MORAN (Reg. No. 37,193), GERALD L. FELLOWS (Reg. No. 36,133), EDWARD R. LAWSON (Reg. No. 41,931), JAMES A. COLLINS (P-43,557), DANIEL S. JONES (Reg. No. 42,697), ANDREW R. PERET (Reg. No. 41,246), RANDALL W. FIELDHACK (Reg. No. P-43,611), CHRISTOPHER B. AUSTIN (Reg. No. 41,592), GRADY J. FRENCHICK (Reg. No. 29,018), TERESA J. WELCH (Reg. No. 33,049), LINDA BLAIR MEIER (Reg. No. 39,769), PAUL F. DONOVAN (Reg. No. 39,962) and KAREN B. KING (Reg. No. 41,898), Michael Best & Friedrich LLP; and ROBERT S. BEISER (Reg. No. 28,687) and WITOLD A. ZIARNO (Reg. No. 39,888), Michael Best & Friedrich (Illinois), and each or any of them, my attorneys or agents, with full power of substitution and revocation, to prosecute this application and to transact all business in the Patent and Trademark Office connected therewith.

FORGOTTEN

ADDRESS ALL COMMUNICATIONS IN OR PERTAINING TO THIS APPLICATION TO:

MICHAEL BEST & FRIEDRICH LLP  
100 East Wisconsin Avenue  
Milwaukee, WI 53202-4108

Telephone: (414) 271-6560

I hereby claim foreign priority benefits under Title 35, United States Code, §119 of the foreign application for patent or inventor's certificate listed below and have also identified below any foreign application for patent or inventor's certificate having a filing date before that of the application on which priority is claimed:

Prior Foreign Application

<u>PP7808</u> (Number)	<u>Australia</u> (Country)	<u>18/12/98</u> (Day/Month/Year Filed)
<u>PQ0126</u> (Number)	<u>Australia</u> (Country)	<u>03/05/99</u> (Day/Month/Year Filed)

I hereby claim the benefit under Title 35, United States Code, §120 of the United States applications listed below and, insofar as the subject matter of each of the claims of this application is not disclosed in the prior United States application in the manner provided by the first paragraph of Title 35, United States Code, §112, I acknowledge the duty to disclose material information as defined in Title 37, Code of Federal Regulations, §1.56(a) which occurred between the filing date of the prior application and the national or PCT international filing date of this application:

<u>(Application Serial No.)</u>	<u>(Filing Date)</u>	<u>(Status)</u> (patented, pending, or abandoned)
---------------------------------	----------------------	--

The undersigned to this Declaration and Power of Attorney hereby authorize the U.S. attorneys named herein to accept and follow instructions from Griffith Hack, Australia, as to any actions to be taken in the U.S. Patent and Trademark Office regarding this application without direct communication between the U.S. attorneys and the undersigned. In the event

PP7808 "03/05/99"



of a change in the person(s) from whom instructions may be taken, the undersigned will so notify the U.S. attorneys.

I hereby declare that all statements made herein of my own knowledge are true and that all statements made on information and belief are believed to be true; and further that these statements were made with the knowledge that willful false statements and the like so made are punishable by fine or imprisonment, or both, under Section 1001 of Title 18 of the United States Code and that such willful false statements may jeopardize the validity of the application or any patent issued thereon.

Full name of sole or first joint inventor: Edward E Tapanes

Inventor's signature [Signature] 12 April 2001  
Date

Residence: 2 Ralton Avenue, Glen Waverley, Victoria 3150, Australia

Citizenship: Australian Flux

Post Office Address: as above

Full name of second joint inventor: Jason R Goode

Inventor's signature [Signature] 17 April 2001  
Date

Residence: 4 Spalding Court, Rowville, Victoria 3178, Australia

Citizenship: Australian Flux

Post Office Address: as above

Full name of third joint inventor: Jin Katsifolis

Inventor's signature [Signature] 16<sup>th</sup> April 2001  
Date

Residence: Unit 2/91 Osbourne Street, South Yarra, Victoria 3141, Australia

Citizenship: Australian

Post Office Address: as above

14 HILLSIDE AVE., NORTHCOTE. 3070. VIC.  
AUSTRALIA.  
Flux

Full name of fourth joint inventor:

Inventor's signature \_\_\_\_\_ Date \_\_\_\_\_

Residence: \_\_\_\_\_

Citizenship: \_\_\_\_\_

Post Office Address: \_\_\_\_\_

100  
300  
"0425850"